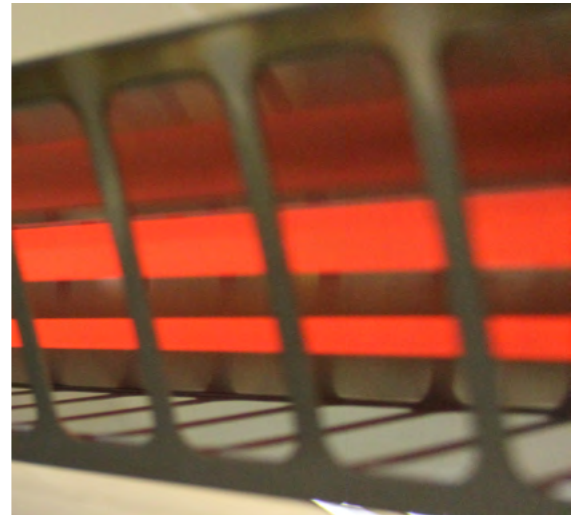


*the future of space conditioning*

# Frenger IR

radiant heating







## Contents

<b>Introduction</b>	<b>3</b>
<b>Technical Data</b>	<b>3</b>
<b>Mounting &amp; Installation</b>	<b>4</b>



# Introduction

Frenger IR is a versatile and effective infrared heater. The output and format of the heater makes it ideal for installations in conservatories, balconies, patios and outdoor restaurants as well as being a good alternative for general heating of industrial buildings with high heat losses or air infiltration losses. Frenger IR is also often used to provide spot heating to loading bays, manufacturing facilities and various agricultural buildings.

The heaters are approved to IP44 and can as such be used in wet and dry areas alike.

## Benefits of Radiant Heating

- Possible to maintain 3-6°C lower air temperature than with conventional heating.
- Concentrated heat to the occupied zone.
- Minimising warm-up times.

## Benefits of Frenger IR

- No moving parts equates to reduced maintenance costs.
- Suitable for mounting between 2-5m from floor level.
- Suitable for wall or ceiling mounting with included brackets.
- Suitable for outdoor applications.
- Splash proof IP44.

## Technical Data

Part No.	Heating Capacity (W)	Voltage (V)	Size (LxWxD) mm	Current (A)	Weight (Kg)	IP Rating
IR 500	500	230V~	700 x 75 x 40	2.17	1.5	44
IR 1000	1000	230V~	1170 x 75 x 40	4.35	2.0	44
IR 1500	1500	230V~	1680 x 75 x 40	6.52	3.0	44

## Control

Frenger can supply a suitable touchscreen programmable control thermostat to be used with Frenger EC at an additional cost. Should you require any assistance, contact our technical sales department.

## Key Features

- Two programmable modes.
- Thermostat Mode - Allows time and temperature settings to be made. The thermostat can be fully programmed to a specific temperature during a specific time.
  - Weekday/Weekend (5+2):  
Allows you to edit 4 time periods for the weekdays and 4 time periods for Saturday and Sunday.
  - 7 day: Can be programmed each day with 4 time periods.
  - 24 hour: Every day can be edited with 4 time periods.
- Time-Clock Mode - Allows only the time-clock setting to switch ON or OFF. This mode ignores any temperature.



Frenger IR Radiant Heater

## Design

Frenger IR consists of a heating element and shiny anodised aluminium reflectors encased in a stainless steel casing to ensure optimum corrosion resistance yet still being aesthetically pleasing.

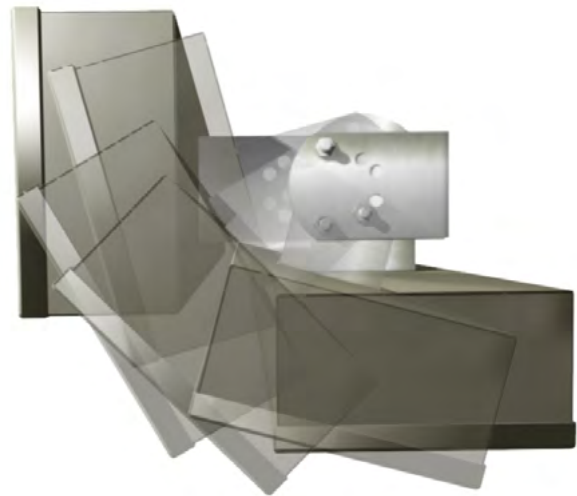
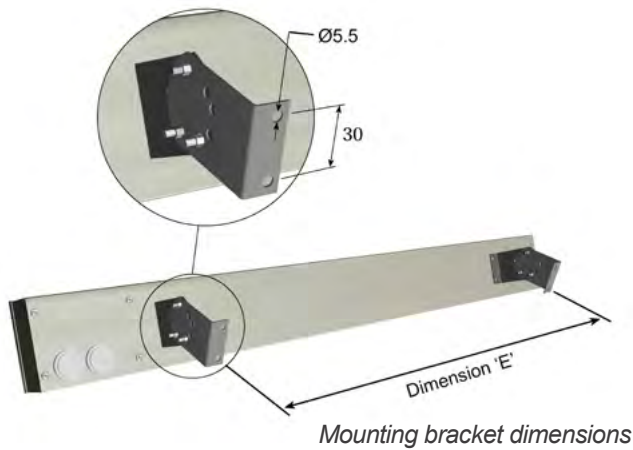


# Mounting & Installation

Frenger IR offers easy installation using the included adjustable mounting brackets. The brackets can be adjusted to angle the heater in different positions enabling direction of the heat to the desired areas.

The heaters can also be suspended from chains, wires etc... (suspension equipment by others).

<b>Part No.</b>	IR 500	IR 1000	IR 1500
<b>Dimensions 'E' (mm)</b>	500	810	1100



*Adjustable mounting bracket*

## Minimum Mounting Distances

	<b>Description</b>	<b>Minimum Distance</b>
A	Heater to adjacent wall	300mm
B	Heater to flammable material	800mm
C	Heater to floor	1800mm
D	Heater to ceiling	150mm



*Minimum mounting distances*



## UK Head Office

Frenger System Ltd  
Riverside Road  
Pride Park  
Derby  
DE24 8HY

tel: 0011 44 1332 295 678  
fax: 0011 44 1332 381 054  
sales@frenger.co.uk  
www.frenger.co.uk

## Australian Office

Frenger  
Level 20  
Tower 2  
201 Sussex Street  
Sydney  
NSW 2000  
Australia

tel: 61 2 9006 1147  
fax: 61 2 9006 1010  
sales@frenger.com.au  
www.frenger.com.au

## American Office

FTF Group Climate  
Bryant Park  
104 W40th Street  
Suite 400 & 500  
New York  
NY 10018  
United States of America

tel: +00 1 (646) 571-2151  
sales@ftfgroup.us  
www.ftfgroup.us



Frenger is an **FTF Group** Company  
Registered No. 646 6229 20

[www.frenger.com.au](http://www.frenger.com.au)